



➤ **AG-7000**
Monochrome ICCD



- *2/3" interline transfer CCD*
- *18 mm Gen III Ultra intensifier*
- *768 x 493 resolution (EIA)*
- *Full atuo-gating and exposure control*
- *Easy connectivity to monitors via standard RS-170 analog video output*
- *Integrated 3-axis lens controller for use with motorized lenses*
- *Compact size: 51 x 45 x 87 mm*
- *Lower power — 2.2 W typical*



Specifications for AG-7000

Internal CCD Camera Specifications

Sensor	2/3" interlaced scan IT CCD ICX422ALL
Active pixels	768 (H) x 493 (V)
Cell size	11.6 μm x 13.5 μm
Scanning	525 lines / 60 Hz 2:1 interlace
Synchronization	Internal/external auto switch HD/VD 4.0 Vp-p impedance 10k VD=interlace/non-interlace HD=15.734kHz ±5%
TV resolution	570 (H) x 350 (V)
S/N ratio	50 dB min. (AGC Off), 56 dB typical
Video output	1.0 Vp-p composite video, 75 Ω
AGC	Selectable ON/OFF (RS-232 controlled)
Gamma	1.0

Auto-Gated Intensified CCD Series Specifications

Min. gating time	100 ns
Gain Control	MCP (RS-232 controlled)
Min. Sensitivity	1 x 10 ⁻⁷ lux at face plate
Min. Illumination	1 x 10 ⁻⁶ lux f=1.4
Lens Mount	C-mount standard, 1" format lenses recommended
Power Requirement	12V DC ± 10%, 180 mA (typical t 23 °C)
Size (H x W x L)	51mm x 45mm x 87mm (2" x 1.75" x 3.42")
Weight	309.8 grams (without tripod mount)
Operating Temp.	-10° C to +50° C
Storage Temp.	-50° C to +70° C
Vibration	7 Grms (20 Hz rto 2000 Hz) Random
Shock	70 G, 11 ms, half-sine

Intensifier Tube Specifications

Type	18 mm gated, proximity focus
Input	1" (18 mm diameter)
Output	2/3" (tapered, fiber-coupled to CCD)
Photocathode	GaAs
Phosphor Screen	P43
Gain	30,000 - 50,000
Resolution	64 lp/mm
EBI	2.5 x 10 ⁻¹¹ lm/cm ² (max)
Tube Life	10,000 hrs

Ordering Information

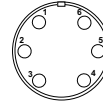
ITAR Controlled Export/Import License Required

Camera	
Lead Processing	AG-7000
Optional Accessories (MUST BE ORDERED SEPARATELY)	
Power Cable	6P-02S
Power Supply	AG-7000 PD-6u
Optional Configurations	
Extended Temperature (-40° C to +65° C)	OP22-5-1
Conformal Coat	OP-22-5-5

Connector Pin-outs

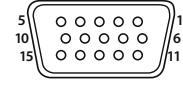
6-Pin Connector

PIN#	FUNCTION
1	+12V GND
2	+12V PWR
3	GND
4	AUTO-IRIS
5	GND
6	IRIS PWR (+12V)

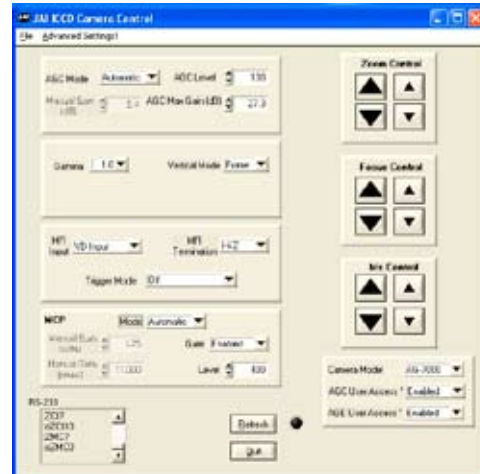


15-Pin Connector

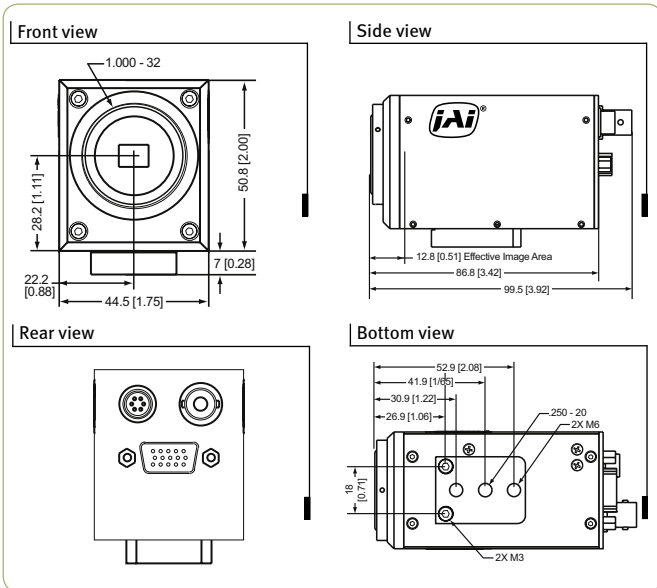
1	RX In	9	Zoom Out
2	Video Out	10	GND
3	TX Out	11	Iris Out
4	Focus Out	12	INTG
5	GND	13	Ext HD
6	GND	14	EXT VD
7	GND	15	NC
8	GND		



ICCD GUI



Dimensions



ITAR - ICCD products and technical information are regulated by the Arms Export Control Act (Title 22, U.S.C. SEC 2751 et seq.) and/or the Export Administration Act of 1979, as amended, Title 50, U.S.C., App 2401 et seq. Export approval is required prior to taking or shipping ICCD products internationally.

PRELIMINARY

Europe, Middle East & Africa
 Phone +45 4457 8888
 Fax +45 4491 8880

Asia Pacific
 Phone +81 45 440 0154
 Fax +81 45 440 0166

Americas
 Phone (Toll-Free) 1 800 445 5444
 Phone +1 408 383 0300



See the possibilities

Visit our web site on www.jai.com