

**Digital Color
Progressive Scan Camera**

 System: **IEEE1394a**
Baumer FWX05c-II

 Art. No.: **OD106163**

- FireWire™ (IEEE1394a) progressive scan CCD camera
- 780 x 582 pixel
- Outstanding color fidelity
- High sensitivity and dynamic range
- Low readout noise
- Up to 25 full frames per second
- Binning and true partial scan function (ROI) for increased frame rates
- External synchronization via asynchronous trigger and flash sync function
- Integrated 8 MByte RAM for temporarily image data buffering
- Compact robust aluminum housing
- Industrial IEEE1394a connector
- Camera parameter in real-time programmable
- Powerful Baumer FCAM1394 driver (OHCI standard compliant) / Software Development Kit for Windows / Linux
- IEEE1394a interface
- User-friendly Baumer TWAIN compatible image capture and camera control software



shown lens needs to be ordered separately

1. Overview

Sensor	1/2" interline progressive scan CCD				
Shutter / readout mode	global shutter / progressive scan readout				
Number of pixel	780 x 582				
Scan area	6.47 mm x 4.83 mm				
Pixel size	8.3 µm x 8.3 µm				
Color filter	RGB Bayer mosaic				
Operation modes					
Trigger mode	yes				
Free running mode	yes, sequential shutter operation				
Signal processing					
	real-time software programmable				
Pixel clock	14.75 MHz				
A/D converter	12 bit				
Exposure control (t_{exp})	total: 4 µsec .. 2 sec 4 µsec .. 65 msec: step 1 µsec 70 msec .. 2 sec: step 10 msec				
Gain control	0 .. 20 dB				
Offset (black level)	0 .. 255 LSB (12 bit)				
Image data buffer	8 MByte				
Image acquisition					
Data format	raw image data from camera				
Camera image format modes (see item 3)	Format (pixel)	Bit per pixel	Pixel clock MHz	Frames per sec. *)	$t_{readout}$
Full frame	780 x 582	8	14.75	25	40 msec
Binning 2x2	390 x 291	8	14.75	50	20 msec
Partial scan function	yes, format freely programmable in all modes (binning on partial scan ok)				
Brightness correction function	optional in all binning modes				

Technical specifications subject to change

Test pattern function	yes, in all modes
Data quality	at 20 °C, gain = 1, exposure time = 32 msec full frame mode
Readout noise	$\sigma < 0.5$ LSB (8 bit) typical
Dynamic range	typical > 54 dB
Optical interface	C-Mount
Optical filter	Hoya CM500S option: dust protection or no filter
Process interface functions	
Async. trigger	yes, trigger mode operation, software trigger and external trigger signal
External flash sync	yes
Software reset	yes, in free running mode, delay up to 40 msec
Image data header	yes
Electrical interface	
Data / control / power	standard single cable IEEE1394a / 6 pins option: screw lock type connector
Digital input	1: trigger signal, opto decoupled, 2.4 V .. 14 V / 20 mA trailing edge **) min. trigger impulse length (t_{min}): 1 μ sec max. trigger delay (t_{delay}): 4 μ sec
Digital output	1: flash sync signal, 12 V / 20 mA low active **)
LED	green: power on / yellow: data transmission active
Power consumption	approx. 3 Watt
Environmental	
Storage temperature	-10 °C .. +70 °C
Operating temperature	+5 °C .. +50 °C
Humidity	10 % .. 90 % non condensing
Housing	aluminum
Dimensions	73 x 56 x 55 mm ³
Weight	340 g
IEEE1394a interface	OHCI standard compliant
Software	Baumer FCAM1394 driver / SDK for Windows 2000 / Windows XP / Linux Kernel 2.4.>22, 2.6.xx Baumer TWAIN image capture and camera control software

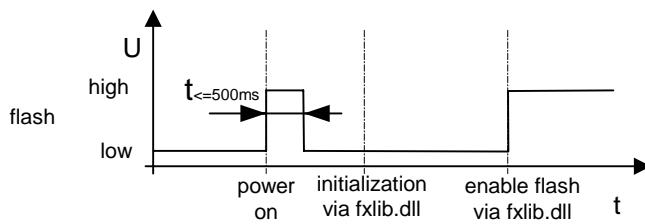
*) maximum frame rate in free running mode, effective frame rate depending on SDK image mode settings and set exposure time

**) can be inverted via software

2. Camera Factory Settings after Camera Start-Up

Camera factory settings after camera start-up	
Operation modes	free running mode
Signal processing	
Exposure control	32 msec
Gain control	factor 1 = 0 dB
Offset (black level)	0
Image acquisition	
Camera image format mode	mode ID = 0: full frame (see item 3)
Partial scan function	not active
Electrical interface	
Flash sync signal	disabled, digital output set to low status *)

*) Electrical interface: flash sync signal



3. SDK Supported Image Formats

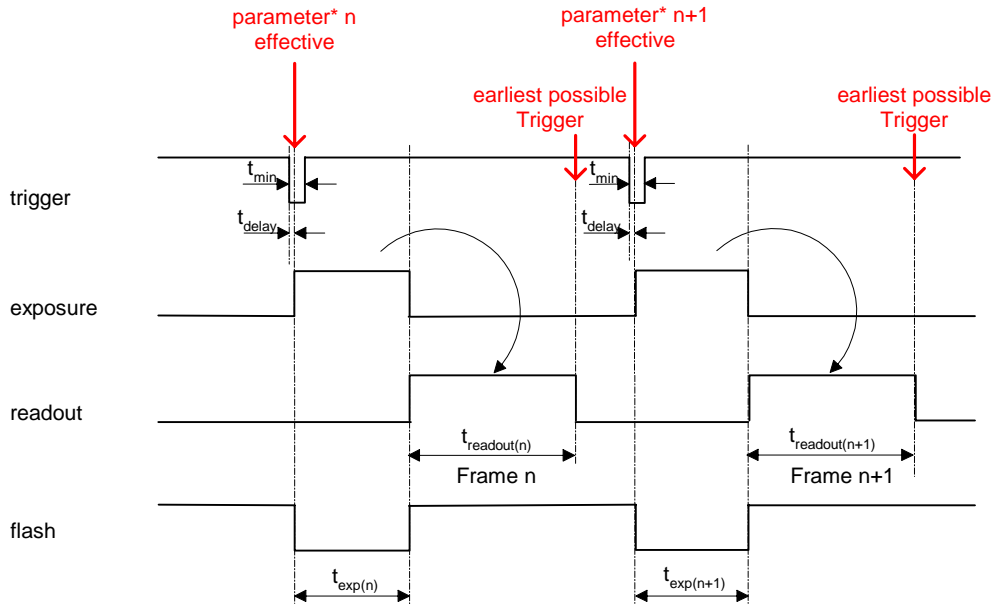
Camera name	FWX05c				
Camera mode	SDK image mode				
	Mode ID	Description	Image format	Color coding	Functions / State
Full Frame	0	Full Frame	780 x 582	RawBayer8, Mono8, Color3x8	PS, T, F, Color
Binning 2x2	2	Binning 2x2	388 x 291	RawMono8, Mono8	PS, T, F, BRC, Mono

SDK - Software Development Kit
 BRC - brightness correction
 PS - partial scan
 T - trigger
 F - flash
 Mono - monochrome mode
 Color - color mode

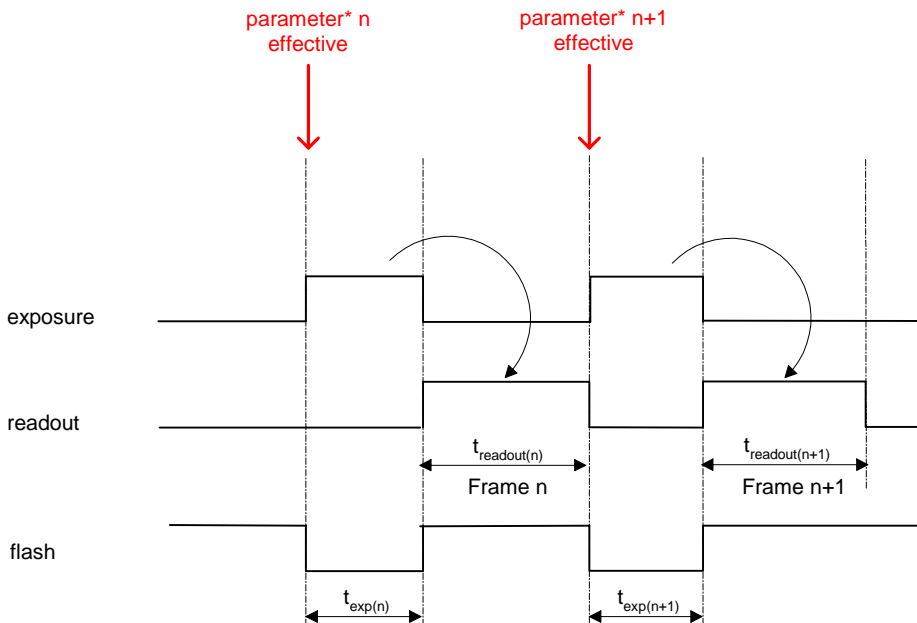
RawBayer8 - unmanipulated pixel data in Bayer filter pattern in 8 bit
 RawMono8 - unmanipulated pixel data for monochrome camera modes in 8 bit
 Color3x8 - software corrected image data for color camera modes in the color data arrangement RGB...RGB in 8 bit
 Mono8 - software corrected image data for monochrome camera modes in 8 bit

4. Timing Operation Modes

Trigger Mode: sequential operation

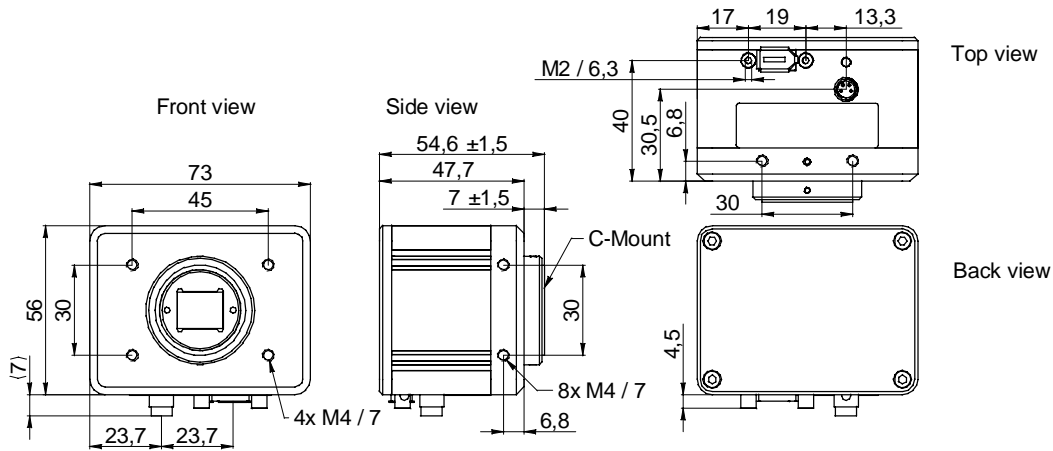


Free Running Mode: sequential operation



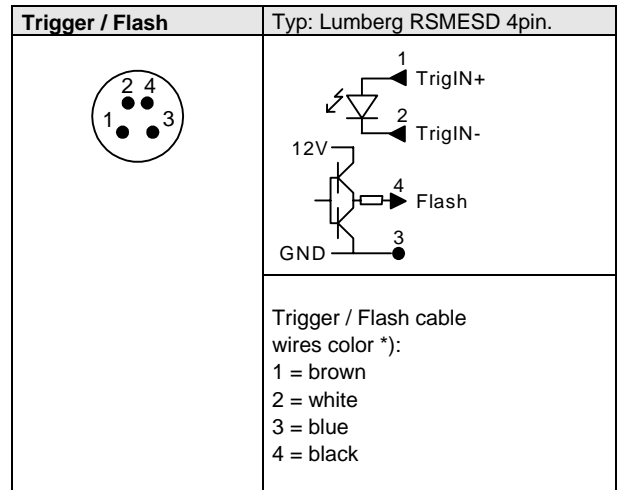
- * image parameter:
- exposure time
 - offset
 - global gain
 - color gain
 - mode
 - partial scan

5. Housing



6. Connectors / Electrical Interfaces

IEEE1394a	Pin
	1: Power 2: GND 3: TPB- 4: TPB+ 5: TPA- 6: TPA+



*) shielded trigger / flash cable needs to be used and ordered separately

End of Document