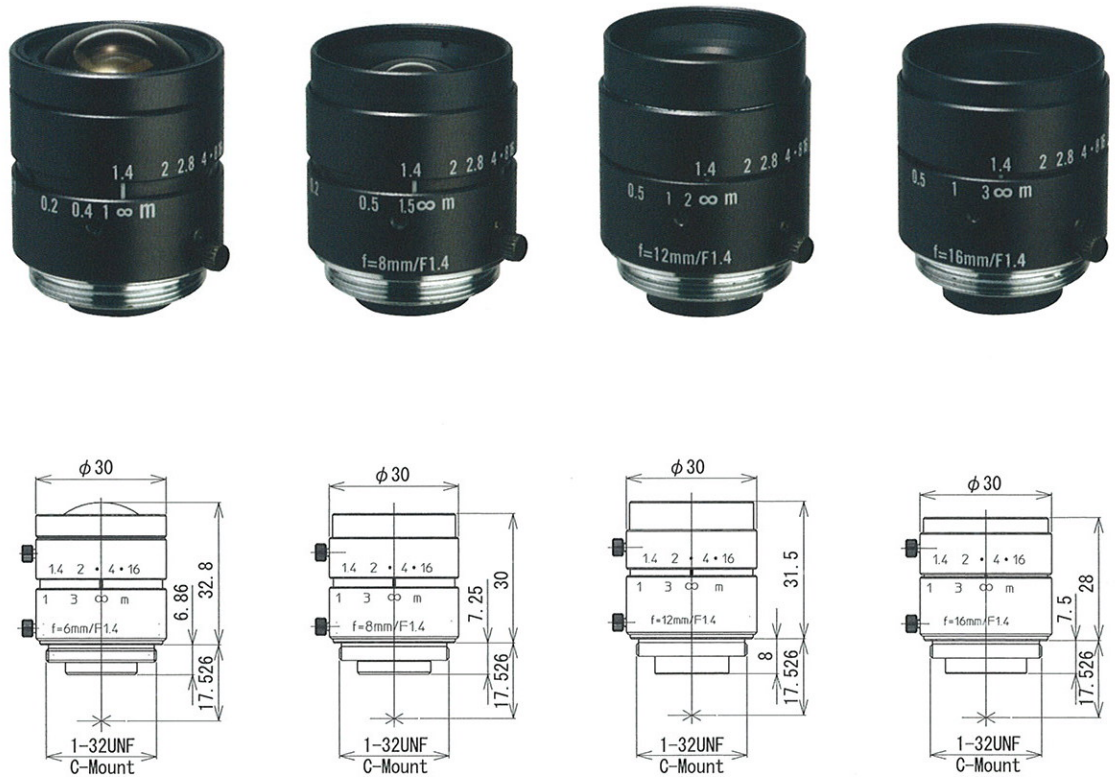


# 2/3" JC High Quality FA Lens Series

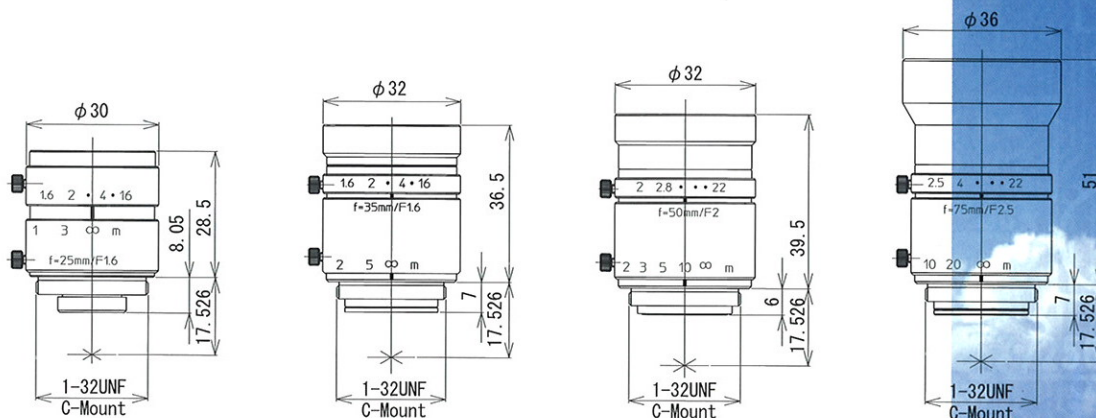
- The redesigned JC series offers a highly compact diameter and marked focus scales.
- 1mm, 5mm, 10mm, 15mm, and 20mm extension tubes are available to reduce the minimum object distance.



Model Name	LM6JC	LM8JC	LM12JC	LM16JC
Focal Length (mm)	6	8	12	16
Format Size (mm)	6.6 X 8.8 (φ 11)	6.6 X 8.8 (φ 11)	6.6 X 8.8 (φ 11)	6.6 X 8.8 (φ 11)
Iris Range (F-Stop)	F1.4~F16	F1.4~F16	F1.4~F16	F1.4~F16
Focusing Range (m)	0.1~∞	0.1~∞	0.1~∞	0.2~∞
Control	Iris: Manual Focus: Manual	Iris: Manual Focus: Manual	Iris: Manual Focus: Manual	Iris: Manual Focus: Manual
Shooting Range at M.O.D.	367(H)X251(V)X530(D)	260(H) X 184(V) X 356(D)	237(H) X 173(V) X 307(D)	111.8(H) X 82.6(V) X 142.5(D)
Field Angle	2/3" : 81.9 X 61.2 1/2" : 59.4 X 44.5 (H° X V°) : 44.5 X 33.3	2/3" : 64.2 X 47.7 1/2" : 46.2 X 34.6 (H° X V°) : 34.5 X 28.6	2/3" : 42.5 X 31.7 1/2" : 30.7 X 23.0 (H° X V°) : 23.0 X 17.2	2/3" : 30.5 X 22.8 1/2" : 22.2 X 16.6 (H° X V°) : 16.6 X 12.4
Resolution(center/corner)	100lpm / 60lpm	100lpm / 60lpm	100lpm / 60lpm	100lpm / 60lpm
Distortion	-10.7%	-6.2%	-2.5%	-1.5%
Back Focal Length	11.30mm in air	11.30mm in air	11.12mm in air	12.15mm in air
Mount	C-Mount	C-mount	C-mount	C-mount
Filter Diameter (mm)	-	M27 X 0.5	M27 X 0.5	M27 X 0.5
Size (mm)	φ 30 X 32.8	φ 30 X 30	φ 30 X 31.5	φ 30 X 28
Weight (g)	63	60	63	55
Operating Temperature	-10°C~+45°C	-10°C~+45°C	-10°C~+45°C	-10°C~+45°C

## Floating Mechanism Design :

The floating mechanism moves the front and rear spherical elements independently to obtain high resolution and high contrast from close-up to infinity.

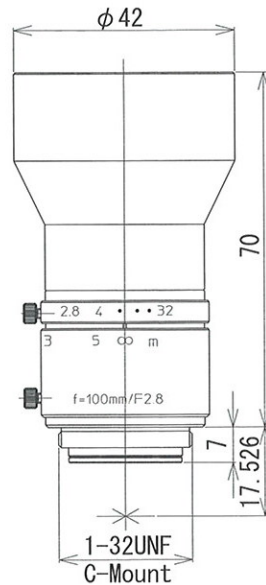


Model Name	LM25JC	LM35JC	LM50JC	LM75JC
Focal Length (mm)	25	35	50	75
Format Size	6.6 X 8.8 (φ 11)	6.6 X 8.8 (φ 11)	6.6 X 8.8 (φ 11)	6.6 X 8.8 (φ 11)
Iris Range (F-Stop)	F1.6~F16	F1.6~F16	F2.0~F22	F2.5~F22
Focusing Range (m)	0.2~∞	0.35~∞	0.5~∞	1.2~∞
Control	Iris Manual Focus Manual	Manual Manual	Manual Manual	Manual Manual
Shooting Range at M.O.D.	119(H) X 89(V) X (D)	126.6(H) X 94.7(V) X (D)	85.0(H) X 63.6(V) X (D)	50.8(H) X 38.1(V) X 63.5(D)
Field Angle	2/3" 21.0 X 15.7	14.4 X 10.8	10.1 X 7.6	6.7 X 5.0
(H° X V°)	1/2" 15.3 X 11.4	10.5 X 7.9	7.3 X 5.5	4.9 X 3.7
	1/3" 11.5 X 8.6	7.9 X 5.9	5.5 X 4.1	3.7 X 2.8
Resolution	100lpm / 60lpm	100lpm / 60lpm	100lpm / 60lpm	100lpm / 60lpm
Distortion	0.60%	0.21%	0.16%	0.10%
Back Focal Length	10.32mm in air	14.9mm in air	17.2mm in air	18.0mm in air
Mount	C-Mount	C-mount	C-Mount	C-Mount
Filter Diameter (m)	M27 X 0.5	M30.5 X 0.5	M30.5 X 0.5	M34 X 0.5
Size (m)	φ 28.5 X 28.5	φ 32 X 36.5	φ 32 X 39.5	φ 36 X 51
Weight (g)	58	85	88	105
Operating Temperature	-10°C ~ +45°C	-10°C ~ +45°C	-10°C ~ +45°C	-10°C ~ +45°C

## Optical Magnification At M.O.D with Extension Tube

Model (Focal Length)		LM6JC(6mm)	LM8JC(8mm)	LM12JC(12mm)	LM16JC(16mm)	LM25JC(25mm)	LM35JC(35mm)	LM50JC(50mm)	LM75JC(75mm)	LM100JC(100mm)
W/O Extension Tube	M.O.D.	7.1mm	19.5mm	67.4mm	134mm	295mm	243mm	519mm	1,191mm	2,082mm
	Mag.	0.32X	0.25X	0.17X	0.12X	0.08X	0.14X	0.1X	0.07X	0.05X
1mm Extension Tube	M.O.D.	*	*	43.3mm	88.3mm	199mm	*	*	*	*
	Mag.	*	*	0.25X	0.18X	0.12X	*	*	*	*
5mm Extension Tube	M.O.D.	*	*	15.9mm	35.8mm	89mm	121mm	269mm	*	*
	Mag.	*	*	0.59X	0.42X	0.29X	0.28X	0.2X	*	*
10mm Extension Tube	M.O.D.	*	*	*	*	*	80.5mm	186mm	441mm	749mm
	Mag.	*	*	*	*	*	0.43X	0.3X	0.2X	0.15X
15mm Extension Tube	M.O.D.	*	*	*	*	*	*	119mm	347mm	582mm
	Mag.	*	*	*	*	*	*	0.5X	0.27X	0.2X
20mm Extension Tube	M.O.D.	*	*	*	*	*	*	*	291mm	482mm
	Mag.	*	*	*	*	*	*	*	0.33X	0.25X

\*Extension Tube is available upon request



Model Name	LM100JC
Focal Length (mm)	100
Format Size (mm)	6.6 X 8.8 (φ 11)
Iris Range (F-Stop)	F2.8~F32
Focusing Range (m)	2 ~ ∞ (0.5m with adapter)
Control	Manual
Iris	Manual
Focus	Manual
Shooting Range at M.O.D.	36.8(H) X 27.6(V) X 46.0(D)
Field Angle	5.0 X 3.8
2/3"	3.7 X 2.8
1/2"	2.8 X 2.1
1/3"	
Resolution (center/corner)	100lpm / 60lpm
Distortion	-0.05%
Back Focal Length	19.0mm in air
Mount	C-Mount
Filter Diameter	M40.5 X P0.5
Size (mm)	φ 42 X 70
Weight (g)	150
Operating Temperature	-10°C ~ +45°C