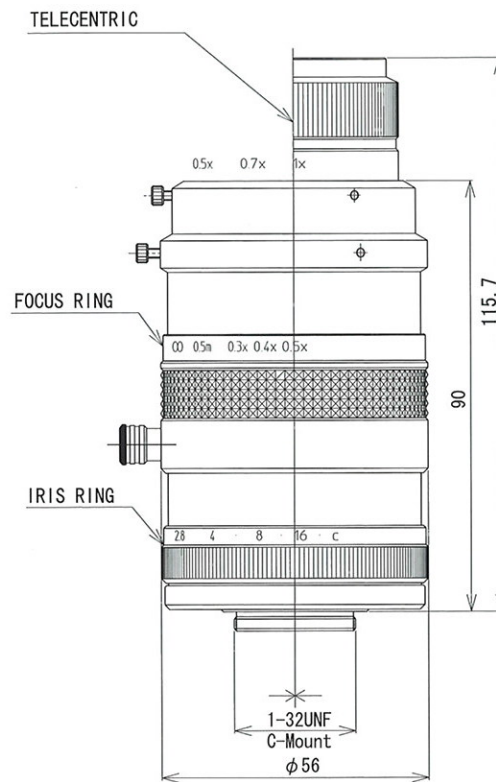


LM50TC Telecentric Megapixel Lens

- ❑ Wide Telecentric focusing range from 0.5x to 1.0x.
- ❑ High resolution and Low Distortion.
- ❑ High Corner Brightness.
- ❑ 0.3x for Macro Use.



| | | |
|-----------------------|---|-----------|
| Model Name | LM50TC | |
| Focal Length (mm) | 50 | |
| Format Size (mm) | 2/3" | |
| Iris Range (F-Stop) | F2.8~F16~CLOSE | |
| Focusing Range (m) | 0.085~∞ | |
| Control | Iris | Manual |
| | Focus | Manual |
| Magnification | 0.5X~1.0X | |
| Object Area at M.O.D. | | |
| Field Angle | 2/3" | 10 X 7.5 |
| (H° X V°) | 1/2" | 7.3 X 5.5 |
| | 1/3" | 5.5 X 4.1 |
| Corner Brightness | More than 97% | |
| Distortion | Less than 0.1%(1.0X) Less than -0.3%(0.5X) | |
| Back Focal Length | 22.0mm in air | |
| Mount | C-Mount | |
| Filter Diameter (mm) | M37.5 X 0.5 | |
| Size (mm) | φ 56 X 115.7 | |
| Weight (g) | 317 | |
| Operating Temperature | -10°C ~ +50°C | |

LM50TC Field of View

| WD (mm) | Optical Mag. | 2/3" | | 1/2" | | 1/3" | |
|-----------------------------------|--------------|-------|-------|-------|-------|-------|-------|
| | | H | V | H | V | H | V |
| Variable Telecentric range | | | | | | | |
| 85 | 1.0X | 8.8 | 6.6 | 6.4 | 4.8 | 4.8 | 3.6 |
| 115 | 0.7X | 12.6 | 9.4 | 9.1 | 6.9 | 6.9 | 5.1 |
| | 0.5X | 17.6 | 13.2 | 12.8 | 9.6 | 9.6 | 7.2 |
| Infinity range | | | | | | | |
| 200 | 0.29X | 30.5 | 22.9 | 22.2 | 16.6 | 16.6 | 12.5 |
| 300 | 0.18X | 47.8 | 35.8 | 34.7 | 26.0 | 26.0 | 19.5 |
| 500 | 0.11X | 82.9 | 62.1 | 60.2 | 45.2 | 45.2 | 33.9 |
| 1,000 | — | 170.7 | 128.0 | 124.1 | 93.1 | 93.1 | 69.8 |
| 3,000 | — | 348.0 | 260.8 | 253.0 | 189.7 | 189.7 | 142.3 |