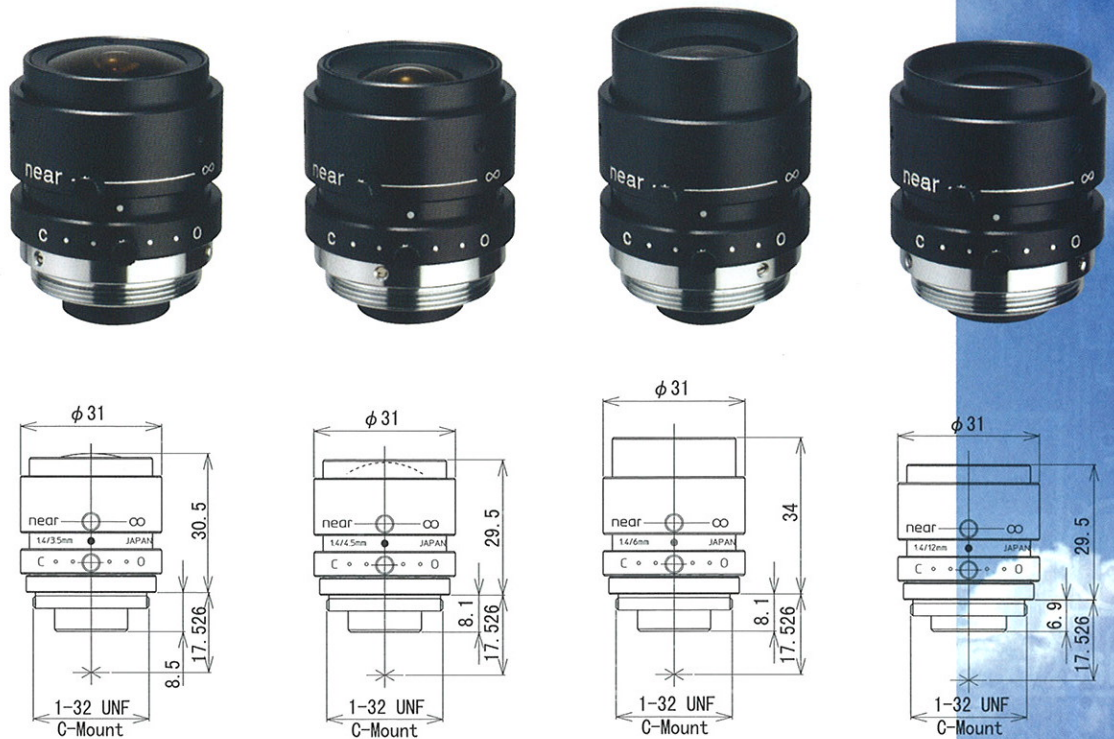


NCL Series

Multi-Application for FA Industry.

KOWA
INDUSTRIAL
FA
LENSES

- 1/2" wide angle 3.5mm and 4.5mm lens.
- The NCL Series lenses can be used in a variety of applications in the FA, Machinevision, and Robotics Industries.
- Metal Body and Locking Screw.



Model Name	LM4NCL	LM5NCL	LM6NCL	LM12NCL
Focal Length (mm)	3.5	4.5	6	12
Format Size (mm)	4.8 X 6.4 (φ8)	4.8 X 6.4 (φ8)	4.8 X 6.4 (φ8)	4.8 X 6.4 (φ8)
Iris Range (F-Stop)	F1.4~F16	F1.4~F16	F1.4~F16	F1.4~F16
Focusing Range(m)	0.2~∞	0.2~∞	0.2~∞	0.3~∞
Control	Iris Manual Focus Manual	Manual Manual	Manual Manual	Manual Manual
Shooting Range at M.O.D.	396(H) X 247(V) X 688(D)	260(H) X 180(V) X 364(D)	174(H) X 128(V) X 221(D)	167(H) X 123(V) X 213(D)
Field Angle	2/3" -	-	-	-
(H° X V°)	1/2" 103.6 X 76.6	79.0 X 59.4	57.3 X 44.0	30.7 X 23.0
	1/3" 77 X 57.7	59.7 X 45.1	44.2 X 33.7	23.0 X 17.2
Resolution (center/corner)	100lpm / 60lpm	100lpm / 60lpm	100lpm / 60lpm	100lpm / 60lpm
Distortion	-28.0%	-17.5%	-1.0%	-0.8%
Back Focal Length	8.89mm in air	9.96mm in air	9.46mm in air	11.12mm in air
Mount	C-Mount	C-Mount	C-mount	C-mount
Filter Diameter	-	-	M25.5 X 0.5	M25.5 X 0.5
Size (mm)	φ31 X 30.5	φ31 X 29.5	φ31 X 29.5	φ31 X 29.5
Weight (g)	73	71	60	70
Operating Temperature	-10°C ~ +50°C	-10°C ~ +50°C	-10°C ~ +50°C	-10°C ~ +50°C