



➤ **TM-745i / TM-765i** Monochrome Interlaced Scan CCD

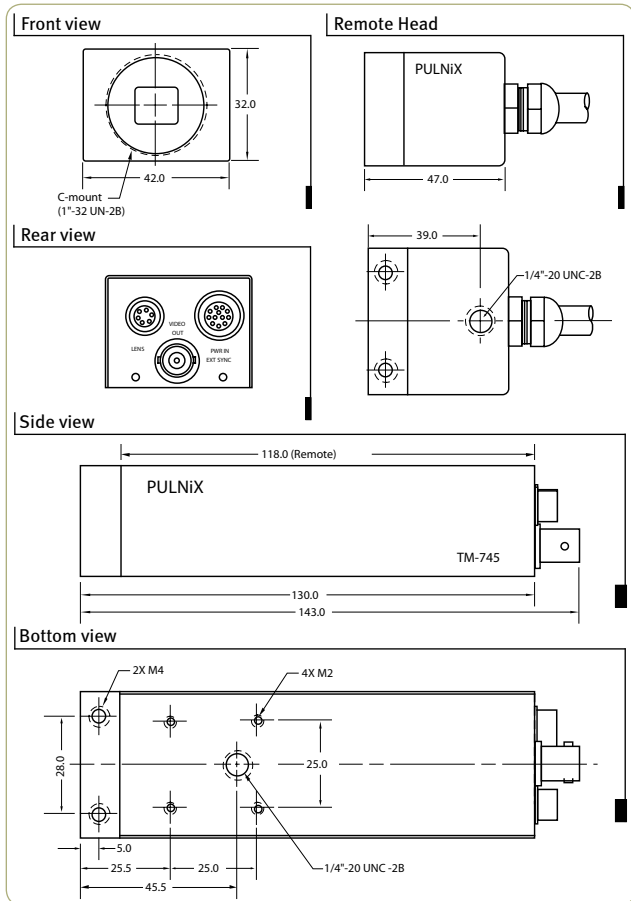


- **2/3" high resolution HAD type interline transfer CCD**
- **768 (H) x 493 (V) resolution (EIA)**
- **756 (H) x 581 (V) resolution (CCIR)**
- **Fully automatic exposure control**
- **Low light sensitivity (0.5 lux)**
- **Smearless shutter 1/60 to 1/10,000 sec.**
- **Full frame integration and asynchronous reset**
- **External sync, interlace, non-interlace auto select**
- **Excellent S/N ratio (>50 dB)**

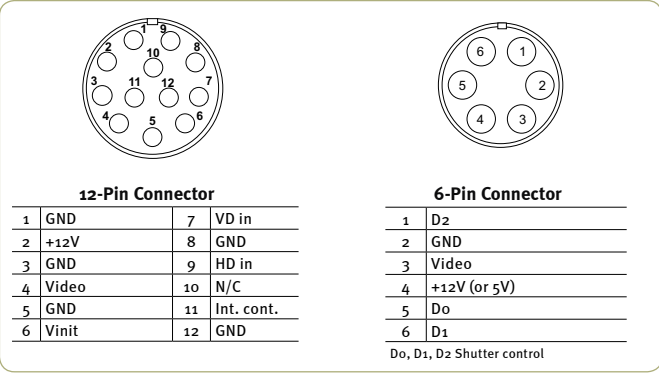
Specifications for TM-745i/TM-765i

Specifications	TM-745i	TM-765i
Sensor	2/3" interlaced scan IT CCD, HAD type ICX422AL ICX423AL	
Active pixels	768 (H) x 493 (V)	756 (H) x 581 (V)
Cell size	11 μ m x 13 μ m	11 μ m x 11 μ m
Scanning	525 lines 60 Hz 2:1 interlaced	625 lines 50 Hz 2:1 interlaced
Synchronization	Internal sync/external auto switch HD/VD: 4.0 Vp-p, 4.7k Ω VD = interlaced/non-interlaced HD = 15.734KHz \pm 5% HD = 15.625KHz \pm 5%	
TV resolution	570 x 350 TV lines	560 x 420 TV lines
S/N ratio	>50 dB	
Sensitivity	0.3 lux f=1.4 without IR cut filter	
Video output	1.0 Vp-p composite video, 75 Ω	
AGC	ON/OFF (default)	
Gamma	0.45 / 1.0 (default)	
Lens mount	C-mount standard	
Power	12V DC, 350 mA	
Operating temperature	-10° C to 50° C	
Vibration	7 Grms (10 Hz to 2000 Hz) Random	
Shock	70 G, 11 ms, half-sine	
Dimensions (H x W x L)	32 mm x 42 mm x 130 mm	
Weight	200 g	

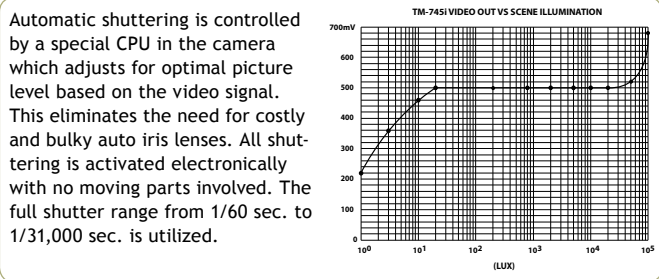
Dimensions



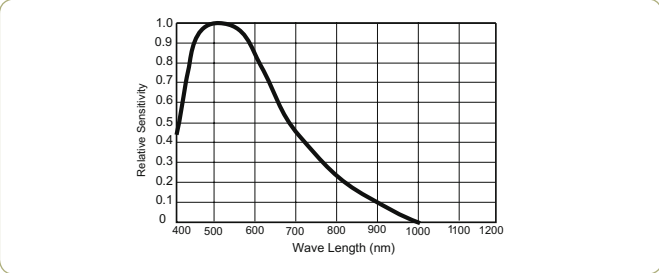
Connector Pin-outs



Automatic Shutter



Spectral Response



Ordering Information

Camera	
Lead Processing	TM-745i (EIA), TM-765i (CCIR)
RoHS Compliant	RM-745i (EIA), RM-765i (CCIR)
Optional Functions	
AGC Disable	OP1-1
Internal IR Filter Added	OP3-1
Optical Filter Removal	OP3-2
Gamma Adjust to 0.45	OP4-2
Pixel Clock Output	OP7-2
Remote Head w/1-meter cable	OP10-1
Sony Pinout	OP25
Frame Mode Set	OP60
DC-Coupled Analog Output	OP72
Optional Accessories (MUST BE ORDERED SEPARATELY)	
Power Cable	12P-02S
Power Supply	PD-12U series
Auto Iris Connector	PC-6P

Europe, Middle East & Africa
Phone +45 4457 8888
Fax +45 4491 8880

Asia Pacific
Phone +81 45 440 0154
Fax +81 45 440 0166

Americas
Phone (Toll-Free) 1 800 445 5444
Phone +1 408 383 0300



Company and product names mentioned in this datasheet are trademarks or registered trademarks of their respective owners. JAI-A-S cannot be held responsible for any technical or typographical errors and reserves the right to make changes to products and documentation without prior notification. 10452 Rev B.05-14-2007