

## ❖ **TM-9730 CL / TMC-9730 CL** Progressive Scan CCD



- *2/3" progressive scan IT CCD imager (KAI-0373)*
- *768(H) x 484(V) @ 30 fps*
- *Large 11.6 x 13.6  $\mu$ m pixels for high dynamic range and NIR sensitivity*
- *Small 44.5 x 44.5 x 68 mm housing*
- *GUI or serial commands for digital control of all camera functions*
- *Built in LUT provides maximum image contrast & dynamic range*
- *Configurable design – select from a wide range of options including AEC, blemish compensation, UV, analog frame buffer, and more*
- *Monochrome or color*

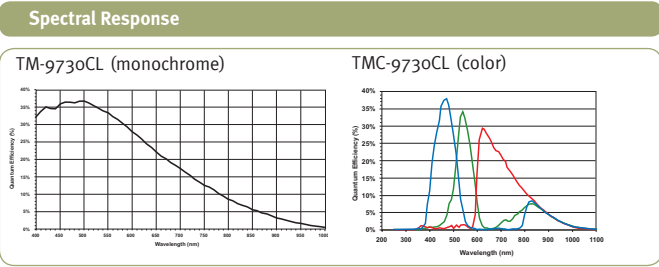


# Specifications for TM-9730CL/TMC-9730CL

Specifications		TM-9730CL/TMC-9730CL
Sensor		2/3" progressive scan IT CCD
Active area		8.9mm x 6.6mm
Active pixels		768 (H) x 484 (V)
Cell size		11.6 μm x 13.6 μm
Readout modes	Digital Analog	768 (H) x 484 (V) 570 TV lines (H) x 484 TV lines (V)
Synchronization		Internal/External auto switch VD= 30 Hz HD= 15.734 kHz ± 5%
Pixel clock		14.318 MHz
S/N ratio		>54 dB
Sensitivity	Monochrome Color	0.09 lux f=1.4 (no shutter) @ 30 fps, 0.55 lux f=1.4 (no shutter) @ 30 fps
Video output	Analog Digital	1.0 Vp-p, 75 Ω 8-bit Camera Link
Color	(TMC-9730CL only)	Raw Bayer output for host-based interpolation
Gamma		Programmable LUT (Gamma 1.0 std)
Shutter speed		1/30 to 1/31,500 in 10 steps
Lens mount		C-mount
Power		12V DC ± 10%, 330 mA (typical at 25° C)
Operating temperature		-10° C to 50° C
Vibration		7 Grms (10 Hz to 2000 Hz) Random
Shock		70 G, 11 ms, half-sine
Dimensions (H x W x L)		44.5 mm x 44.5 mm x 68 mm
Weight		171 g (without tripod)

Shutter Speed			
0	1/30	5	1/1,000
1	1/60	6	1/2,100
2	1/125	7	1/4,500
3	1/250	8	1/10,500
4	1/500	9	1/31,500

Ordering Information	
<b>Camera</b>	
Lead Processing	TM-9730CL (mono), TMC-9730CL (color)
RoHS Compliant	RM-9730CL (mono), RMC-9730CL (color)
<b>Optional Functions</b>	
Auto Level Control (ALC)	OP1-5
Imager Blemish Map	OP2-1
Blemish compensation	OP2-5
Ultraviolet Imager	OP21-UV (monochrome only)
Extended temperature -40°C to +65°C	OP22-5-1 (reduced performance may occur)
Conformal coat	OP22-5-5
Analog frame buffer for RS-170 video conversion for video standard equipment	OP27-1
NTSC	OP27-2
NTSC Y/C	OP27-3
<b>Optional Accessories (must be ordered separately)</b>	
I/O	26CL-02-26 (2m)
Power Cable	12P-02S
Power Supply	PD-12UUP (includes power connector)



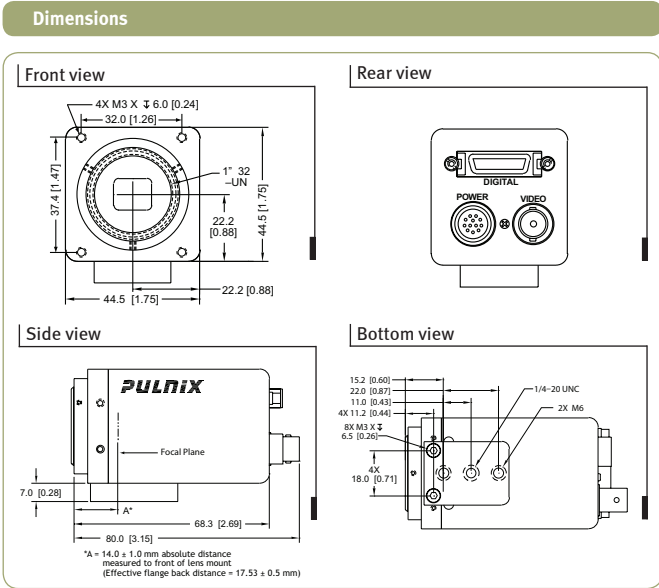
### Connector Pin-out

MDR 26-Pin Connector			
Pin #	Description	Pin#	Description
1	GND (Shield)	10	CC2+
2	X0-	11	CC3-
3	X1-	12	CC4+
4	X2-	13	GND (Shield)
5	Xclk-	14	GND (Shield)
6	C3-	15	C0+
7	SerTC+	16	X1+
8	SerTFG-	17	X2+
9	CC1-	18	Xclk+
19	X3+	20	SerTC-
21	SerTFG+	22	CC1+
23	CC2+	24	CC3+
25	CC4-	26	GND (Shield)

12-Pin Connector			
Pin #	Description	Pin #	
1	GND	7	VD in
2	+12V DC	8	NC
3	GND (analog)	9	HD in
4	Video out	10	NC/Y*
5	GND (digital)	11	NC
6	NC/VINIT in	12	NC/C*

\*NTSC Y/C, OP27-3



<b>Europe, Middle East &amp; Africa</b> Phone +45 4457 8888 Fax +45 4491 3252	<b>Asia Pacific</b> Phone +81 45 440 0154 Fax +81 45 440 0166	<b>Americas</b> Phone (Toll-Free) 1 800 445 5444 Phone +1 408 383 0300
---	---	--

Visit our web site on [www.jai.com](http://www.jai.com)



Company and product names mentioned in this datasheet are trademarks or registered trademarks of their respective owners. JAI-A-5 cannot be held responsible for any technical or typographical errors and reserves the right to make changes to products and documentation without prior notification. 10600 Rev A\_06.09.2008